

MHB ML Series—Longer service life Battery

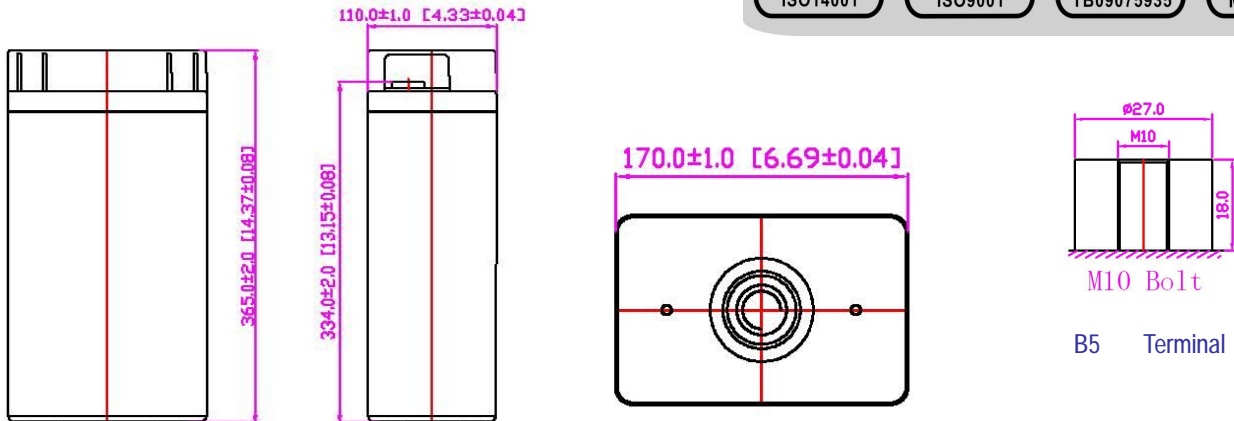
- High performance, completely maintenance-free, low self-discharge
- 100% precise quality testing, stable quality and high reliable performance
- Unique grid alloy formula and updated manufacturing technique
- Floating & standby use: up to 15 years
- Cycle use 1: Up to 260 cycles at 100% DOD
- Cycle use 2: Up to 1200 cycles at 30% DOD

Application:

- Telecommunications
- Uninterruptable Power Supply (UPS)
- Electric Power System (EPS)
- Emergency backup power supply
- Alarm and security system
- Communication power supply
- DC power supply
- Auto control system

Construction:

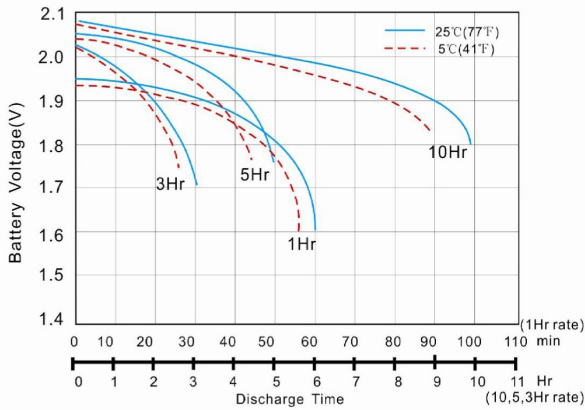
- ComponentRaw material
- PositiveLead dioxide
- NegativeLead
- ContainerABS
- CoverABS
- SealantEpoxy
- Safety valve Rubber
- TerminalCopper
- SeparatorFiber glass
- Electrolyte Sulfuric acid



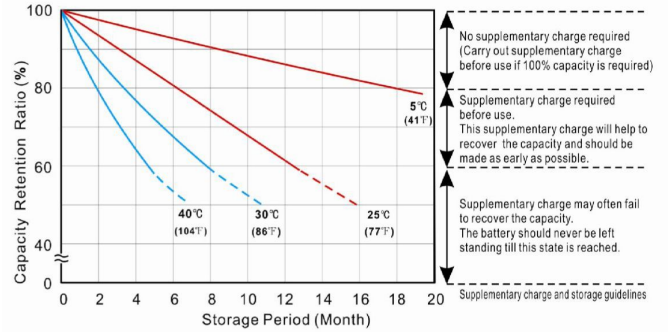
Specification:

Battery Model	ML200 -2 2V200AH			
Designed Floating Life	Up to 15 Years			
Capacity (25°C)	20HR(10.240A,1.80V)	10HR(20.000A,1.80V)	5HR(33.320A,1.80V)	1HR(105.32A,1.80V)
	204.80 AH	200.00 AH	166.60 AH	105.32 AH
Dimensions	Length	Width	Height	Total Height
	170 mm	110 mm	334 mm	365 mm
Approx. Weight	13.40 KG±3%			
Internal Resistance	Full charged at 25°C: ≤0.65mΩ			
Self Discharge	2% of capacity declined per month at (25°C)			
Capacity Affected by Temp.(20HR)	40°C	25°C	0°C	-15°C
	102%	100%	85%	65%
Charge Voltage(25°C)	Cycle use		Float use	
	2.40-2.50V(-5mV/°C), max. Current:50.00A		2.25-2.30V (-3.0mV/°C)	

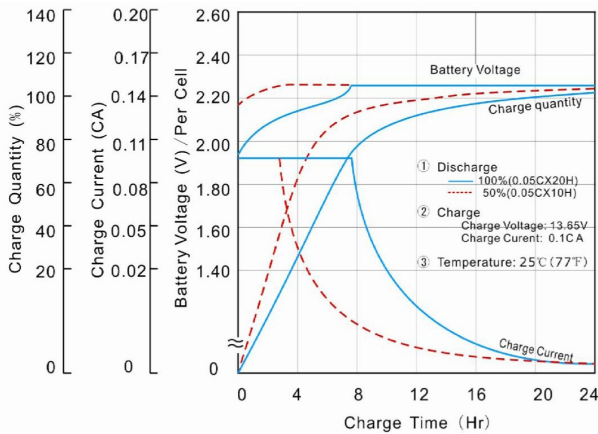
Terminal Voltage (V) and Discharge Time



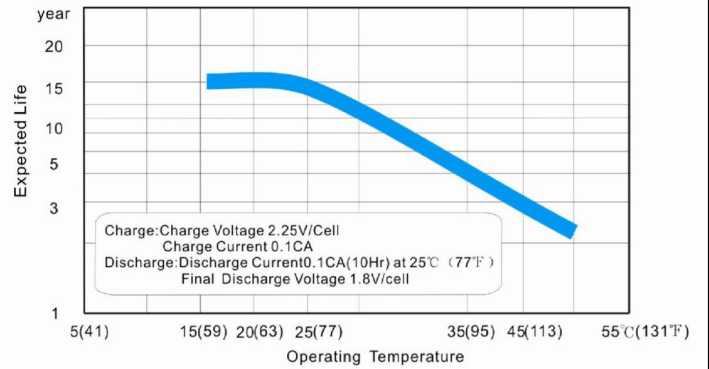
Capacity Retention Characteristic



Battery Voltage and Charge Time for Standby Use



Tickle(or Float) Service Life



Constant Current Discharge (CC, Unit: A) at 25°C (77°F)

F.V/Time	10Min	15Min	30Min	1Hr	2Hr	3Hr	4Hr	5Hr	6Hr	8Hr	10Hr	20Hr
1.85V/Cell	467.88	311.92	152.06	102.66	63.55	48.08	39.19	32.48	28.58	23.26	19.50	9.98
1.80V/Cell	480.00	320.00	156.00	105.32	65.20	49.32	40.20	33.32	29.32	23.86	20.00	10.24
1.75V/Cell	485.76	323.84	157.87	106.58	65.98	49.91	40.68	33.72	29.67	24.15	20.24	10.36
1.70V/Cell	529.48	343.27	167.34	110.84	67.14	50.79	41.40	34.31	30.19	24.57	20.60	10.55
1.67V/Cell	582.91	372.42	181.55	117.03	67.86	51.33	41.84	34.68	30.52	24.83	20.82	10.66
1.60V/Cell	631.49	391.85	191.03	122.04	68.60	51.89	42.29	35.06	30.85	25.10	21.04	10.77

Constant Power Discharge (CP, Unit: W) at 25°C (77°F)

F.V/Time	10Min	15Min	30Min	1Hr	2Hr	3Hr	4Hr	5Hr	6Hr	8Hr	10Hr	20Hr
1.85V/Cell	912.37	608.25	296.52	200.19	123.93	93.75	76.41	63.33	55.73	45.35	38.02	19.46
1.80V/Cell	936.00	624.00	304.20	205.37	127.14	96.17	78.39	64.97	57.17	46.53	39.00	19.97
1.75V/Cell	947.23	631.49	307.85	207.84	128.67	97.33	79.33	65.75	57.86	47.09	39.47	20.21
1.70V/Cell	1032.5	669.38	326.32	216.13	130.93	99.04	80.73	66.91	58.88	47.91	40.16	20.56
1.67V/Cell	1136.7	726.21	354.03	228.21	132.33	100.10	81.59	67.63	59.51	48.43	40.59	20.78
1.60V/Cell	1231.4	764.10	372.50	237.98	133.76	101.18	82.47	68.36	60.15	48.95	41.03	21.01