

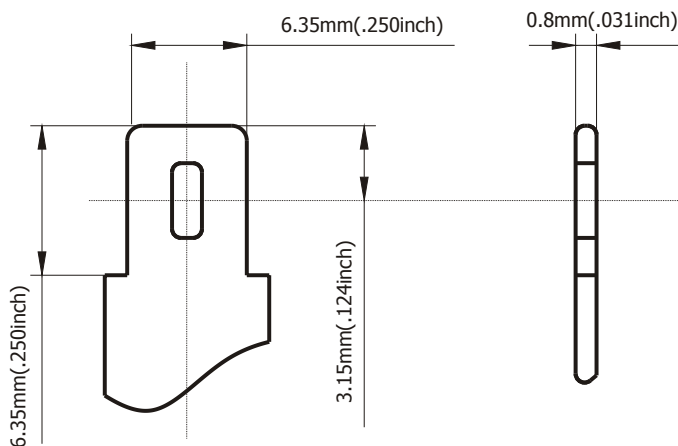
UL 9 - 12
12V 9AH
STANDBY

Ultracell®
 'Quality in Every Language'

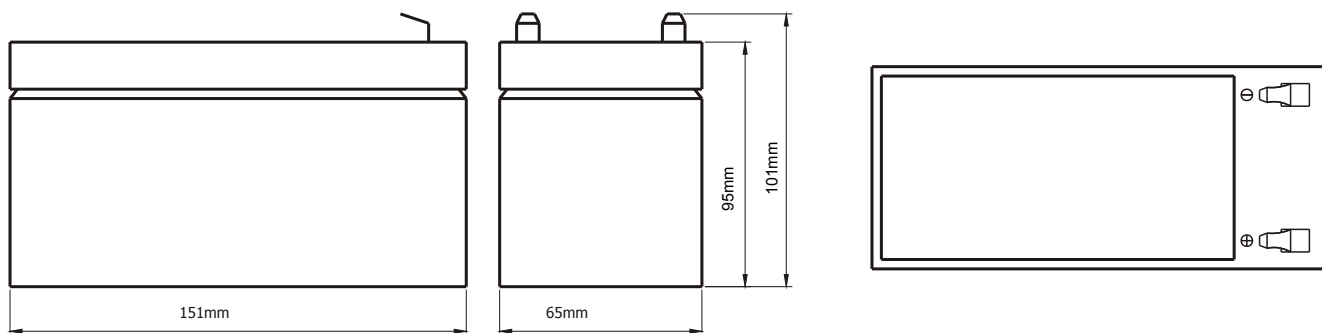
Image



Terminal Type



Dimensions



Specifications

Battery Model	UL 9 - 12			
Designed Floating Life	5 Years			
Capacity (25°C)	20HR (0.45A, 1.75V)	10HR (0.855A, 1.75V)	5HR (1.53A, 1.75V)	1HR (5.4A, 1.55V)
	9AH	8.55AH	7.65AH	5.4AH
Dimensions	Length	Width	Height	Total Height
	151mm	65mm	95mm	101mm
Approx. Weight	2.60Kg			
Internal Resistance	Fully Charged at 25°C 0.02 Ohm			
Self Discharge	3% of capacity declined per month at 25°C			
Capacity Affected by Temperature	40°C	25°C	0°C	-15°C
	102%	100%	85%	65%
Charge Voltage (25°C)	Cycle Use		Float Use	
	14.0 - 15.0V (-24mV/C), max. Current: 2.7A		13.6 - 13.8V (-18mV/C)	

Construction

Component	Raw material	Sealant	Epoxy Resin
Positive	Lead dioxide	Safety Valve	EPDR
Negative	Lead	Terminal	Copper
Container	ABS (Flame Retardent optional)	Separator	Fibre Glass
Cover	ABS (Flame Retardent optional)	Electrolyte	Sulphuric acid

Sealed and maintenance free option *Non-spillable construction design*



Tel | +44 (0) 151 523 2777
Fax | +44 (0) 151 523 0855
E-mail | info@ultracell.co.uk
Web | www.ultracell.co.uk

UL 9 - 12

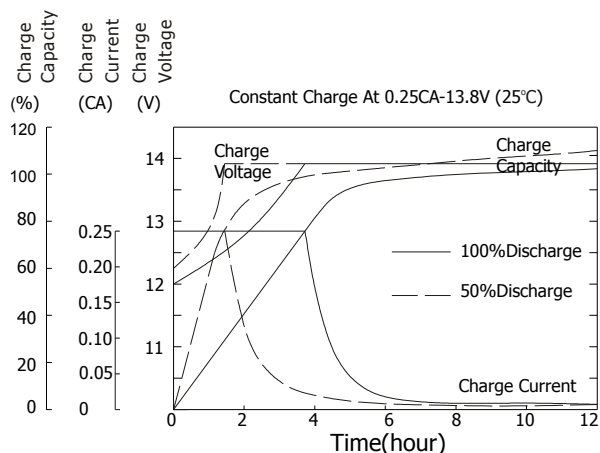
12V 9AH

STANDBY

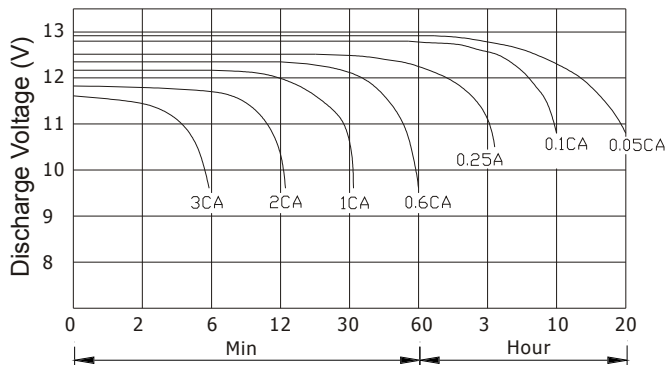
Ultracell®

'Quality in Every Language'

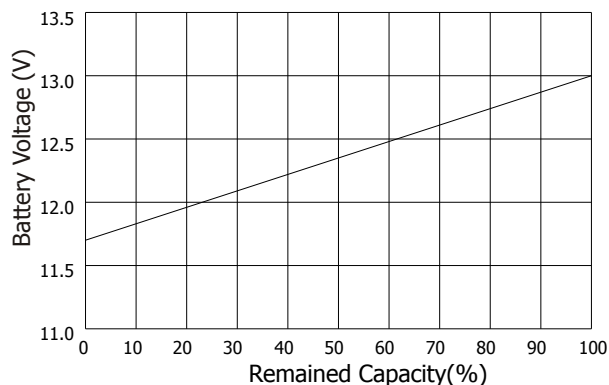
Charge Characteristic



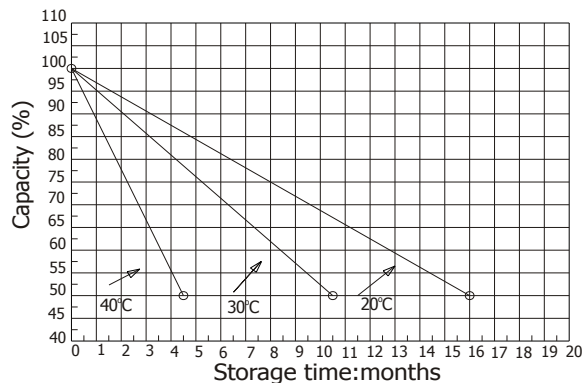
Discharge Characteristic 25°C



Relationship of OCV and state of charge



Self Discharge Characteristics



Constant Current Discharge Ratings - amperes at 25°C

F.V / Time	5 MIN	10 MIN	15 MIN	30 MIN	1 HR	3 HR	5 HR	10 HR	20 HR
1.60 V	35.5	21.8	16.5	10.1	5.40	2.81	1.66	0.92	0.51
1.67 V	32.9	20.9	16.0	9.65	5.35	2.38	1.62	0.90	0.47
1.70 V	30.4	20.0	15.5	8.75	5.15	2.25	1.58	0.88	0.46
1.75 V	30.1	19.4	15.0	8.33	5.04	2.20	1.53	0.86	0.45
1.80 V	26.6	18.5	14.0	7.72	4.70	2.14	1.51	0.85	0.45
1.85 V	23.6	17.6	12.2	7.07	4.55	2.11	1.50	0.67	0.44

Constant Power Discharge Ratings - watts at 25°C

F.V / Time	5 MIN	10 MIN	15 MIN	30 MIN	1 HR	3 HR	5 HR	10 HR	20 HR
1.60 V	72.0	46.8	36.0	20.9	11.7	4.55	3.10	1.75	0.92
1.67 V	69.7	45.7	35.5	20.5	11.6	4.54	3.08	1.75	0.92
1.70 V	66.8	45.0	34.6	20.2	11.4	4.50	3.07	1.73	0.91
1.75 V	62.8	43.2	33.5	19.6	11.3	4.46	3.06	1.73	0.91
1.80 V	54.5	40.0	32.0	19.1	10.9	4.37	3.03	1.69	0.90
1.85 V	51.5	37.0	30.6	18.2	10.7	4.30	3.00	1.69	0.90



Tel | +44 (0) 151 523 2777
 Fax | +44 (0) 151 523 0855
 E-mail | info@ultracell.co.uk
 Web | www.ultracell.co.uk